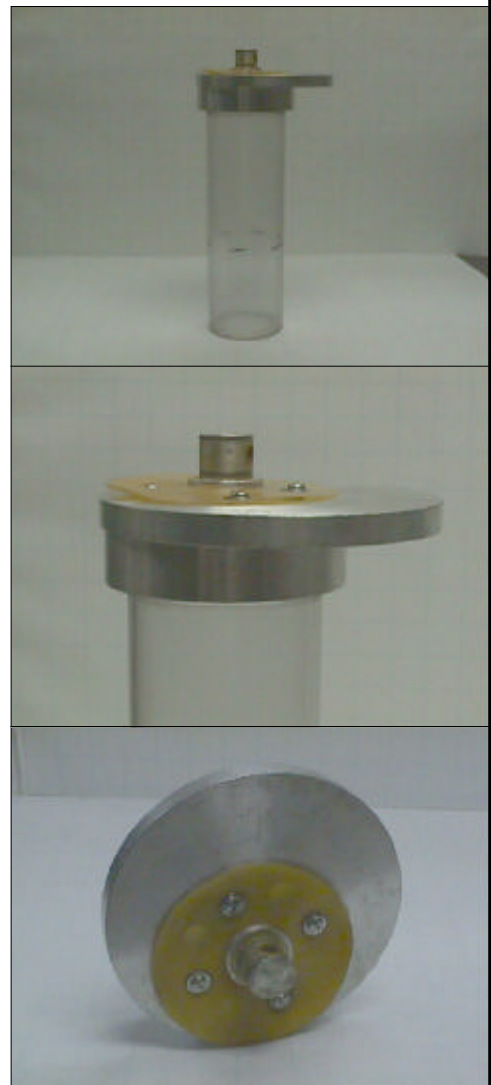
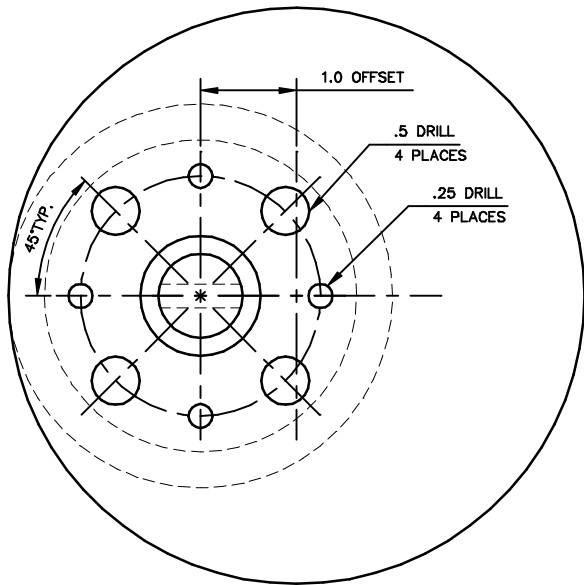
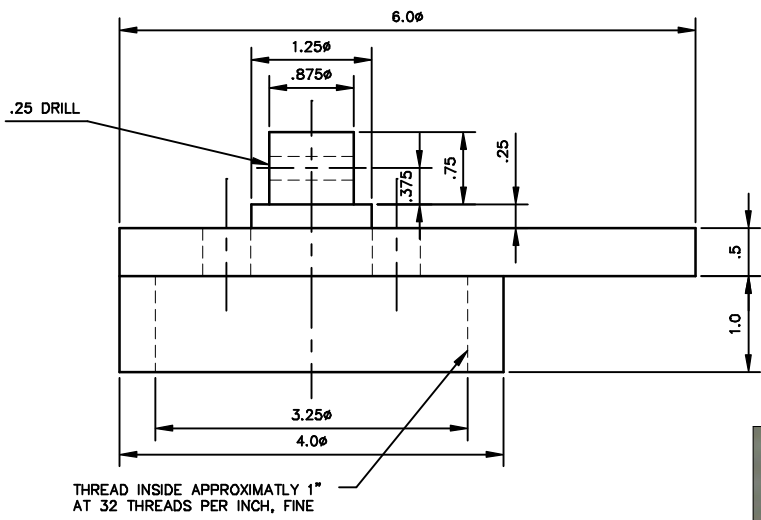


# **APPENDIX A**

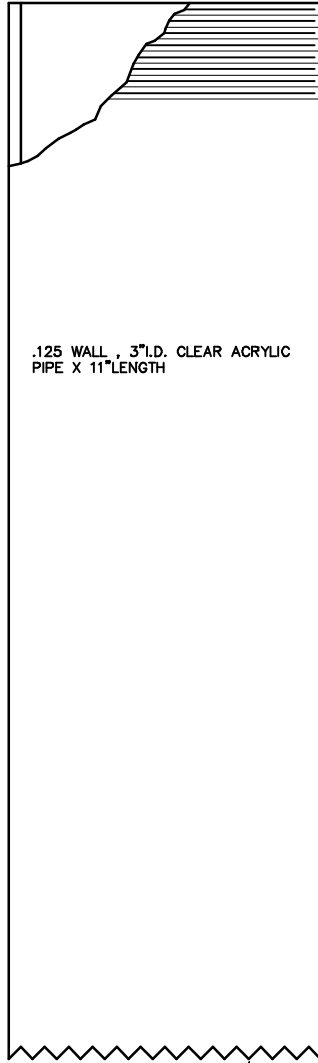
---

## **Sampling Apparatus**



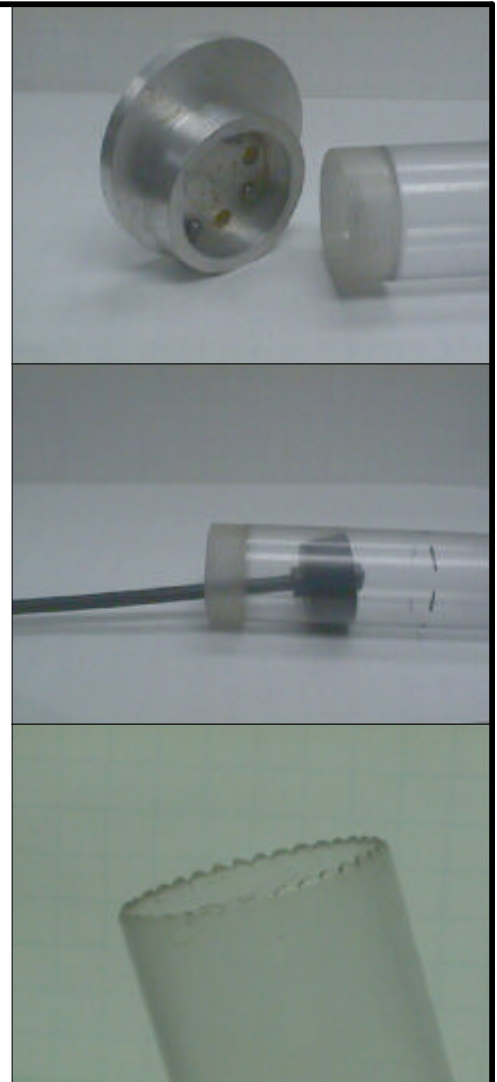
SCALE: .5"=1.0"

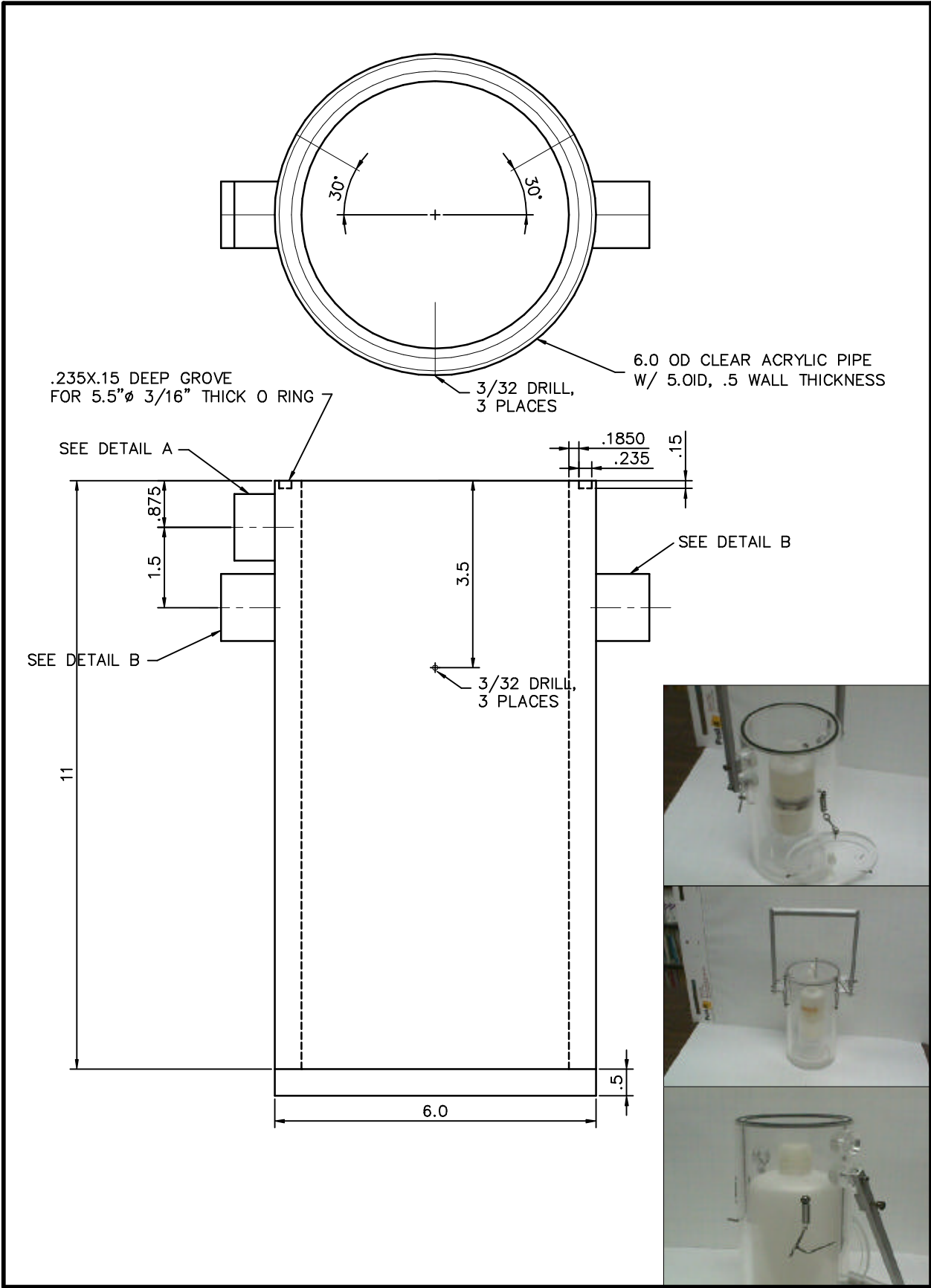
THREAD OUTSIDE OF PIPE APPROXIMATELY 1"  
AT 32 THREADS PER INCH, FINE

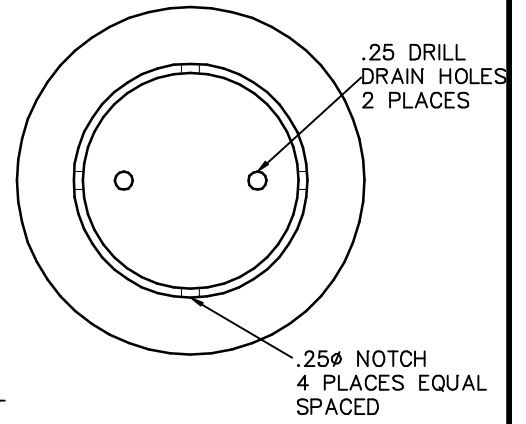
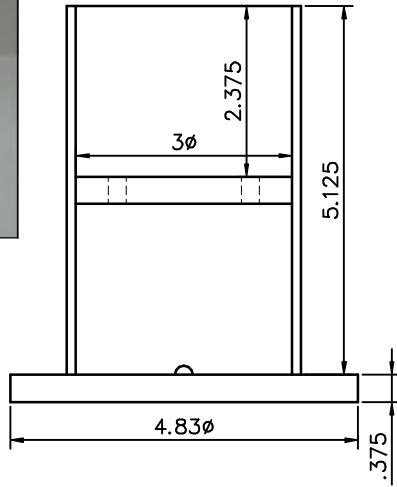


USING A FILE, CUT EQUALLY SPACED  
SERRATED EDGES AT 45°

SCALE: .5" = 1.0"



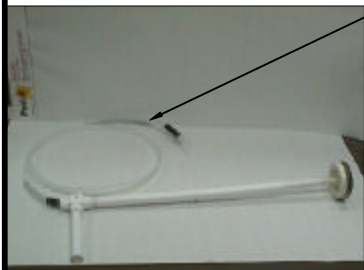




LENGTH OF TUBING  
TO BE DETERMINED  
BY YOUR SPECIFIC  
NEEDS.



HAND OPERATED VACUUM  
PUMP W/ GAUGE  
NALGE # 20940-00 OR  
EQUAL



LENGTH OF TUBING  
AND TEFLON PIPE/HANDLE  
TO BE DETERMINED  
BY YOUR SPECIFIC  
NEEDS.



GELMAN # 13529-00 MAGNETIC  
FILTER HOLDER W/ FUNNEL

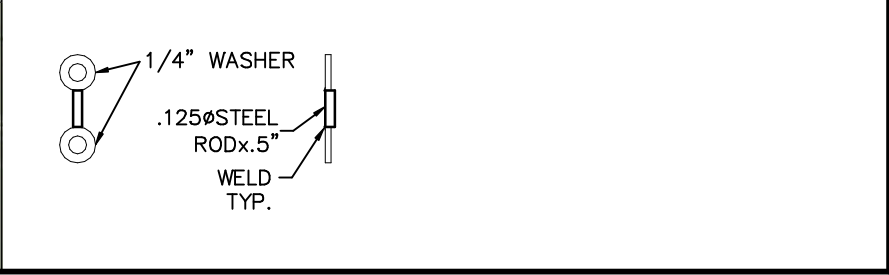
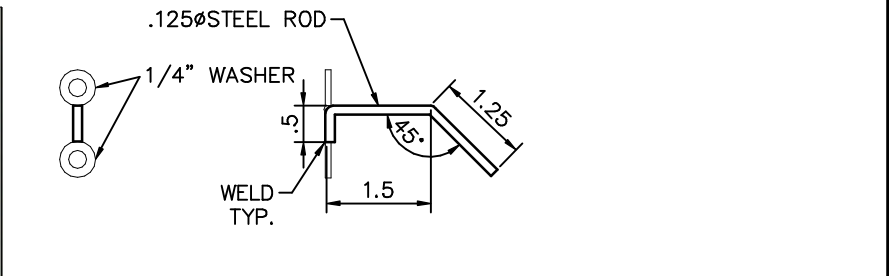
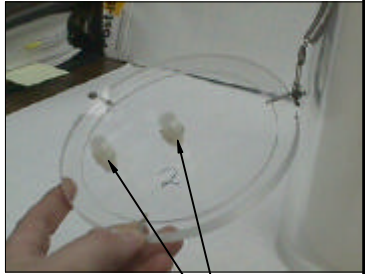
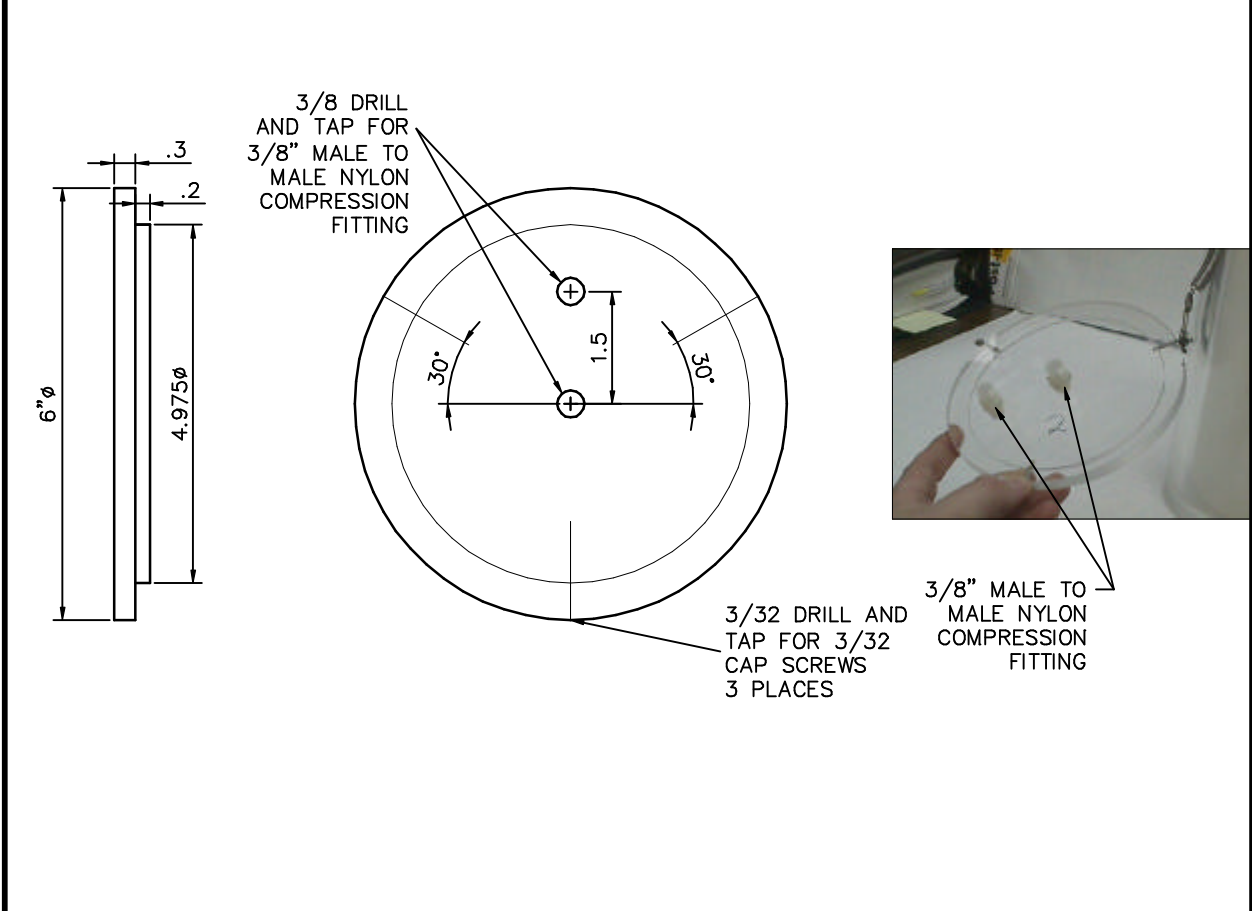
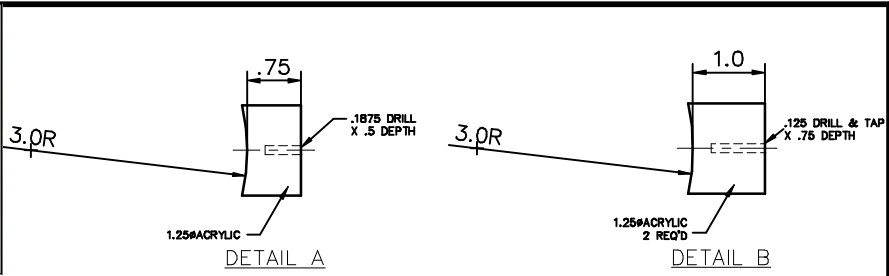
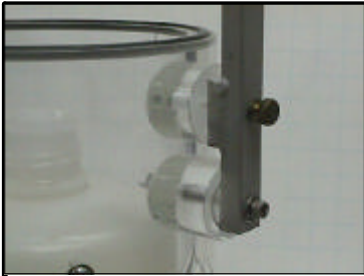
USING A HACKSAW  
CUT OFF THE FUNNEL  
PORTION AND SHORTEN  
THE TUBE ON THE  
OTHER END.

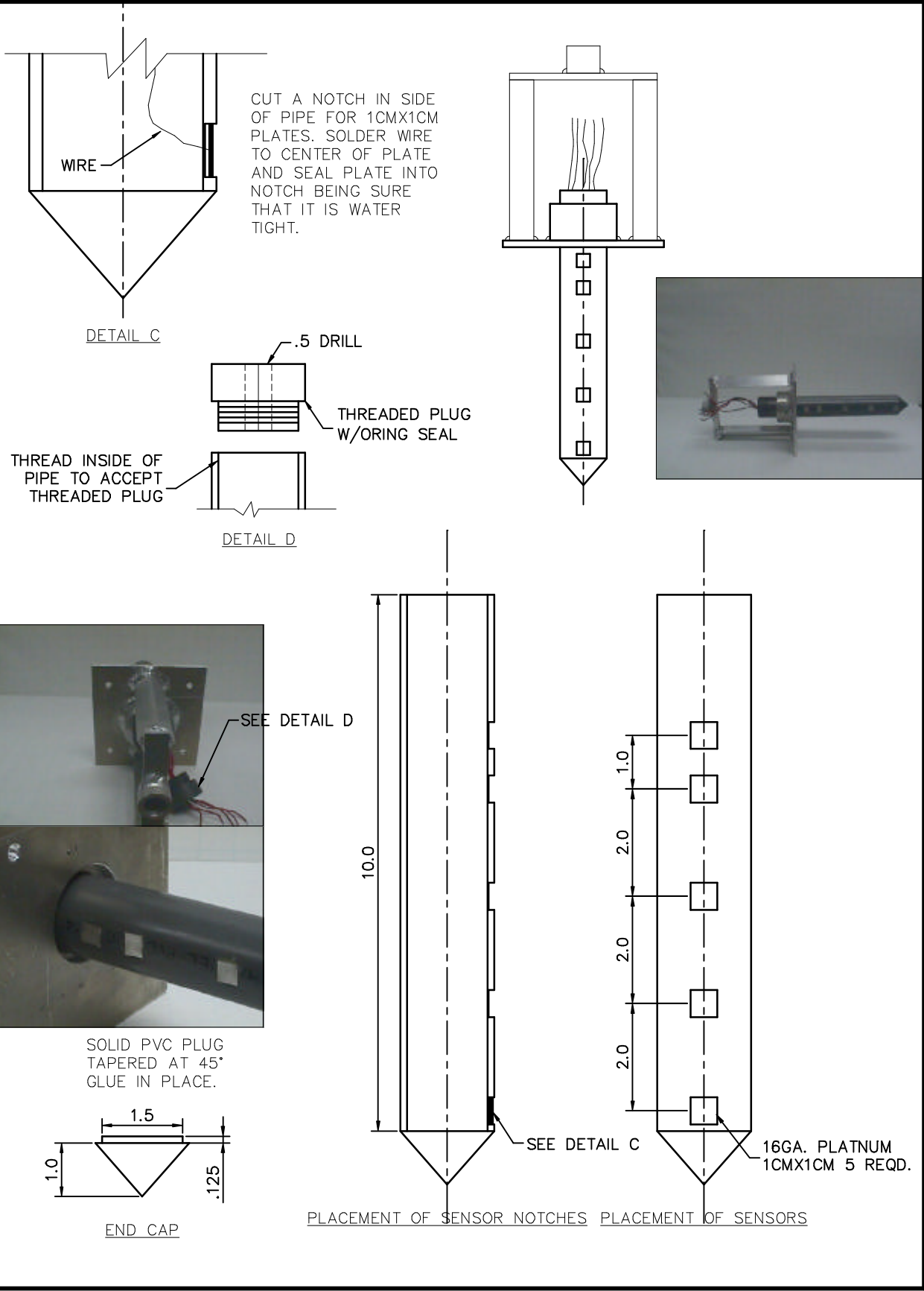


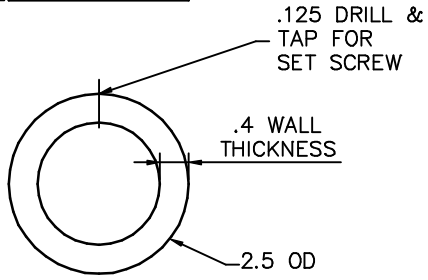
AFTER MODIFICATION



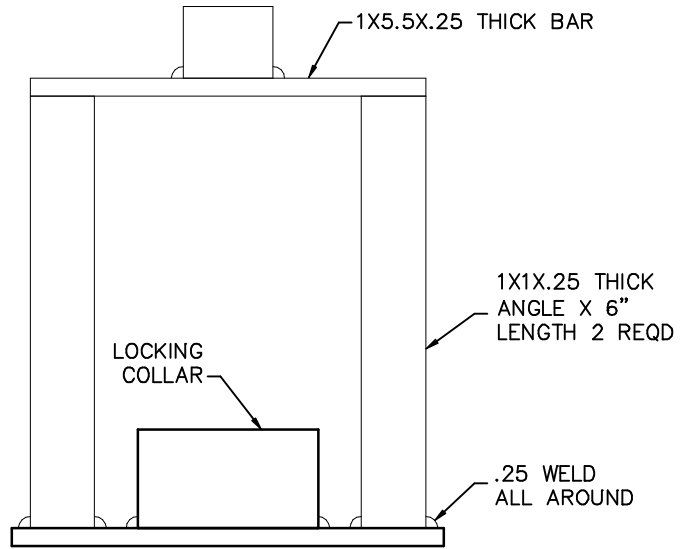
BEFORE MODIFICATION



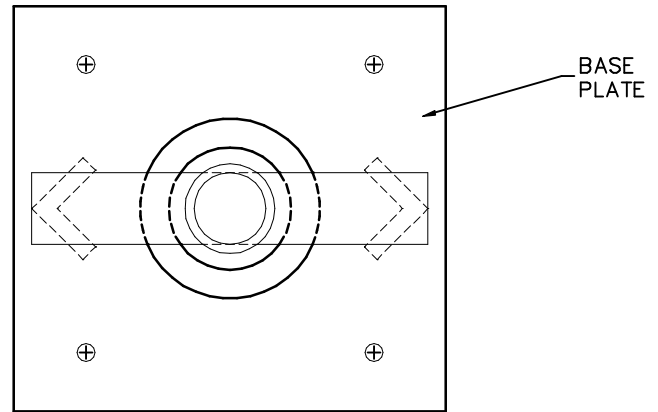




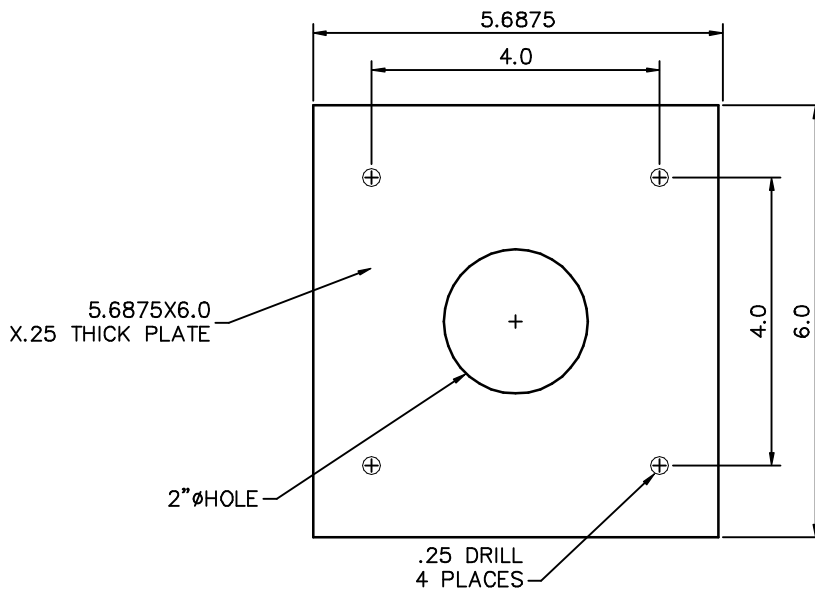
LOCKING COLLAR



SIDE VIEW BASE PLATE ASSEMBLY



TOP VIEW BASE PLATE ASSEMBLY



BASE PLATE

